



**12K 3P-230V™**

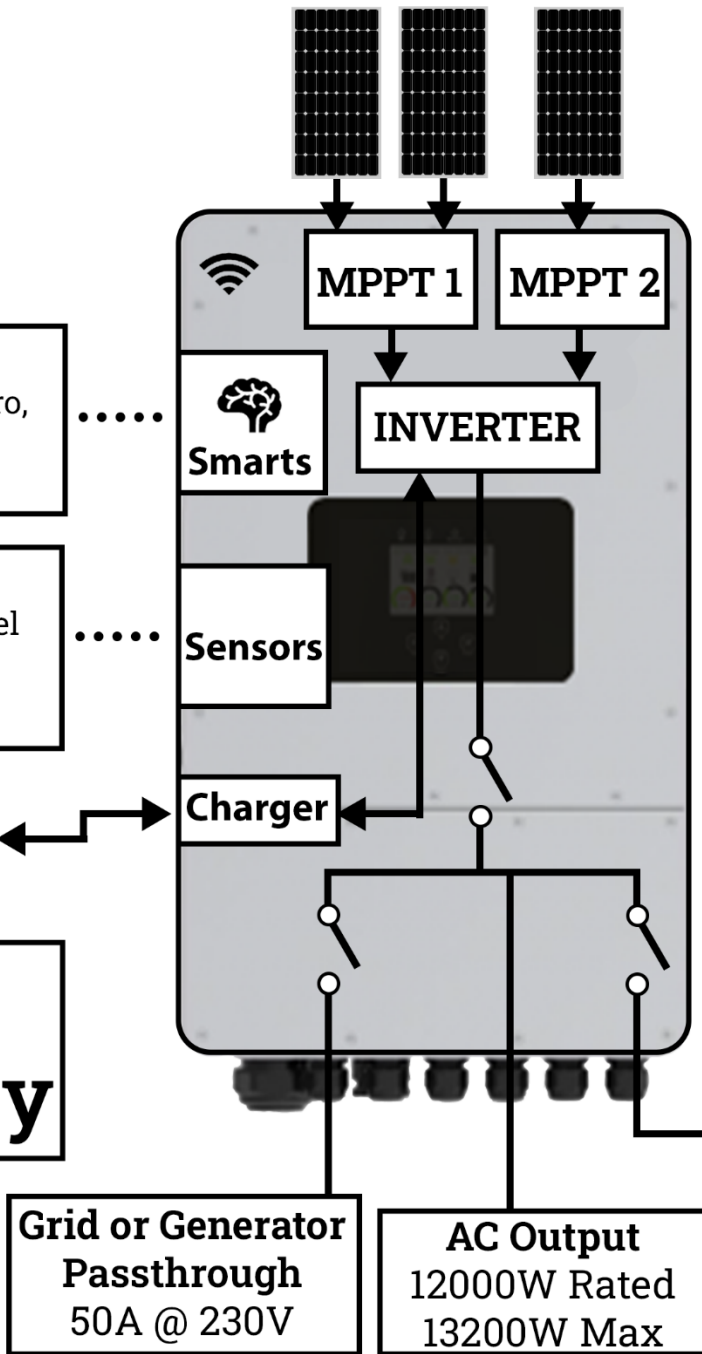
**Cloud Monitoring & Programming**

**Modes:**  
Grid Sell, Off-Grid, Meter Zero, Time of Use, & Peak Shaving

**Sensors:**  
External CT Sensors, Parallel Comms/Battery Comms, Auto Gen Start

**Battery Agnostic**  
48V Nominal & at least 50Ah

**3-Phase Power Only**



**15.6kW DC Coupling**  
125V-650V @ 20A per MPPT

**5ms UPS**  
No-Glitch Transfer

**Time of Use**  
Use Batteries At Night to Minimize Grid Usage.

**Gen Compatible**  
Portable or Standby Gens

**AC Coupling**  
Retrofit Existing Systems